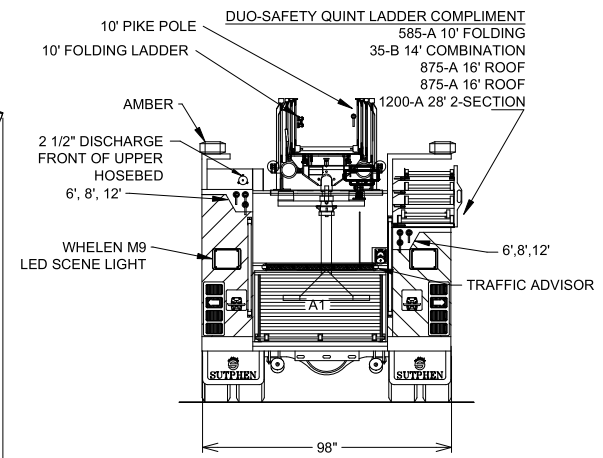
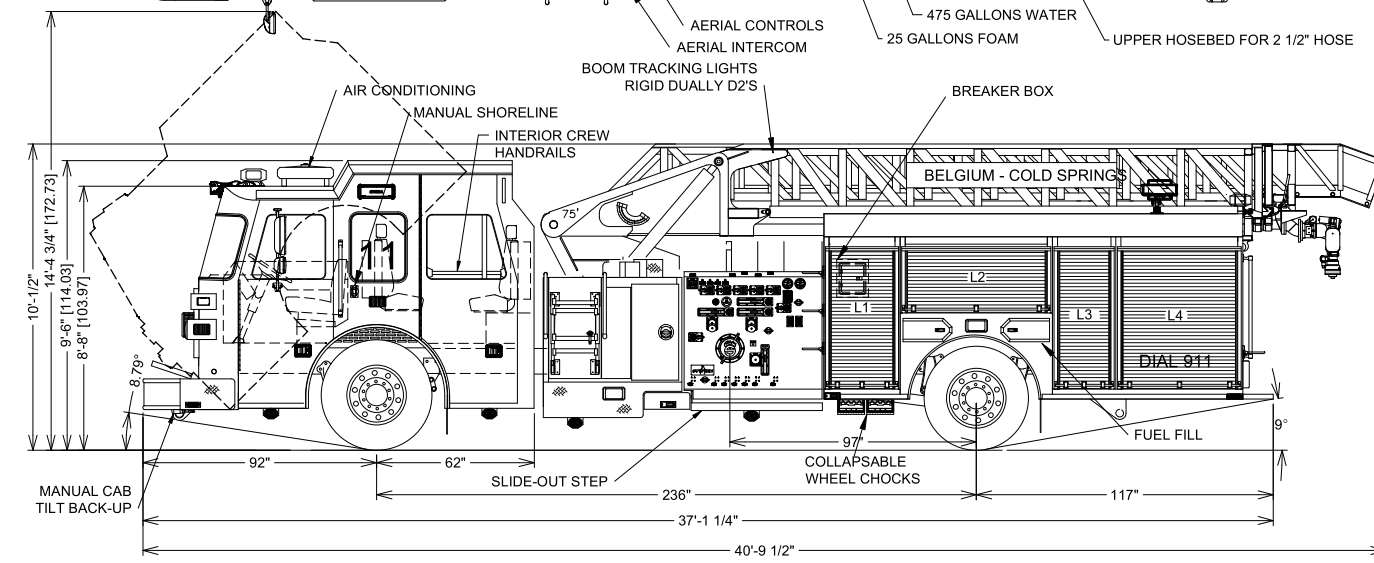


COMP'T	DIMENSIONS
L1	30"W x 60"H x 20"D
L2	60"W x 30"H x 20"D
L3	25"W x 60"H x 20"D
L4	50"W x 60"H x 20"D
R1	30"W x 45"H x 25"D
R2	60"W x 15"H x 25"D
R3	25"W x 45"H x 25"D
R4	50"W x 45"H x 25"D
A1	53"W x 30"H x 40"D

221 cubic feet of compartment space
 3 crosslays (2) 1 3/4" and (1) 2 1/2"
 500 gallon tank
 Quint ground ladders



DIMENSIONS SHOWN ON THIS DRAWING ARE APPROXIMATE AND ARE SUBJECT TO MINOR DEVIATIONS DURING CONSTRUCTION.

IN THE EVENT OF A DISCREPANCY BETWEEN THE SUTPHEN SPECIFICATIONS AND DRAWING, THE SUTPHEN SPECIFICATIONS SHALL PREVAIL.

DRAWING IS FOR REFERENCE ONLY. SOME ITEMS PROPOSED MAY NOT BE SHOWN OR NOTED.

CUSTOMER APPROVAL

NAME: _____

TITLE: _____

DATE: _____

REV.	DESCRIPTION	BY	DATE
-	-	-	-

SUTPHEN CORPORATION
 FIRE APPARATUS - SINCE 1890
 6450 EITERMAN ROAD DUBLIN, OH 43016

DRAWN BY: NPC
 BELGIUM-COLD SPRINGS FIRE DEPARTMENT
 BALDWINSVILLE, NEW YORK

DATE: 12/12/14
 SL75
 HS-5703